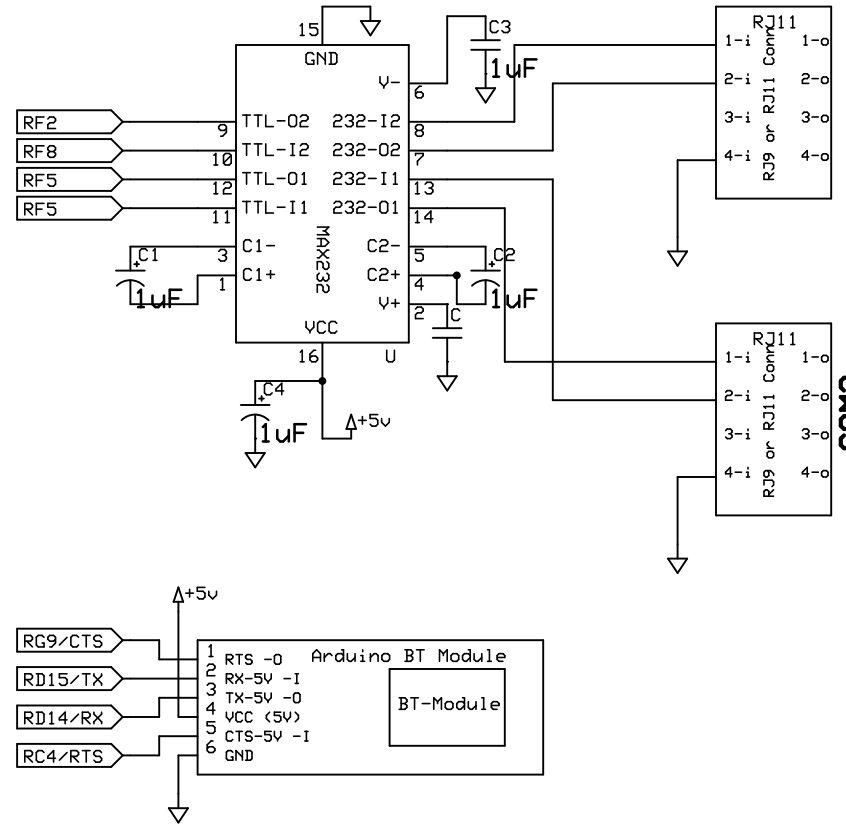


UBW32 Pins are marked on PC Board

Component diagram is only a partial for reference only



COM1 - To GPS
COM2 - To Autostar/AudioStar